

移印辅助处理干燥设备

Peripheral device  
for post-treatment



# IRG 101

红外干燥机  
Infrared drying unit

IRG 101 红外干燥机可用于许多（如玻璃、金属、塑料）等材料表面印刷后的图案干燥处理。机器使用短波红外线。干燥处理的时间和温度可调节。为了确保操作安全，IRG 101 配备集成热监控装置。当发生热能超过负荷时，装置自动关停。本机还配备外部控制用的可插拔接口。

The IRG 101 infrared drying unit can be used for print image post-treatment/drying on certain materials (e.g. glass, metal, plastics). It operates with short-wave infrared rays. The operating time and the temperature are adjustable. To ensure safe handling the IRG 101 has an integrated thermal monitoring device. If a thermal overload occurs the device switches off automatically.

For external controlling there is a pluggable interface.

#### IRG 101 技术数据

辐射范围  
100 x 120 mm

辐射温度  
可调节  
在 40 mm 距离内：温度调节范围  
为 70 - 170 °C

辐射时间  
调节范围为 0-4 秒或也可连续运行

连接  
230 V、50/60 Hz、6 A、1400 W  
特制版：  
115 V、50/60 Hz、12 A、1400 W

控制电压  
24 VDC

控制器  
Omron 可编程逻辑控制器 (可通过  
外部控制系统进行控制)

重量  
约 10,8 kg

尺寸  
宽 = 175 mm  
高 = 340 mm  
深 = 467 mm

#### TECHNICAL DATA IRG 101

RADIATION AREA  
100 x 120 mm

RADIATION TEMPERATURE  
adjustable  
70 - 170 °C at a distance of 40 mm

RADIATION TIME  
adjustable from 0 to 4 seconds  
or continuous operation

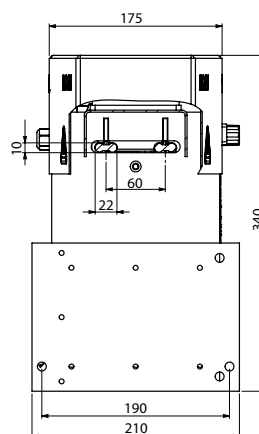
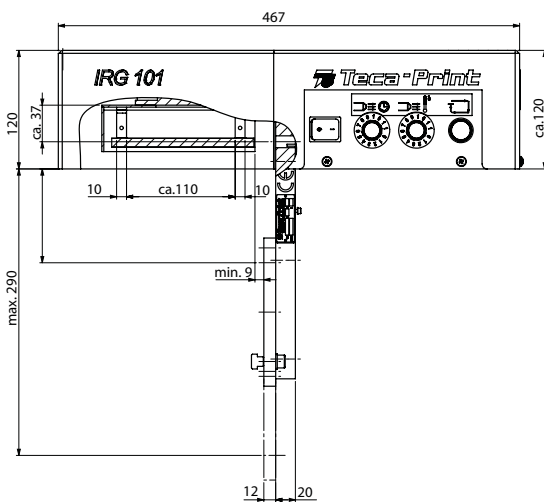
CONNECTION  
230 V, 50/60 Hz, 6 A, 1400 W  
special edition:  
115 V, 50/60 Hz, 12 A, 1400 W

CONTROL VOLTAGE  
24 VDC

CONTROL UNIT  
Omron PLC (controllable with an  
external control system)

WEIGHT  
approx. 10,8 kg

DIMENSIONS  
w = 175 mm  
h = 340 mm  
d = 467 mm



本公司保留技术改进的权利，恕不另行通知。  
We reserve the right to make technical changes without prior notice.  
706 000 456 G / 12.16

**Teca-Print**

Teca-Print AG  
Postfach  
Bohlstrasse 17  
CH-8240 Thayngen

Tel. +41 52 645 2000  
Fax +41 52 645 2100  
info@teca-print.com  
teca-print.com