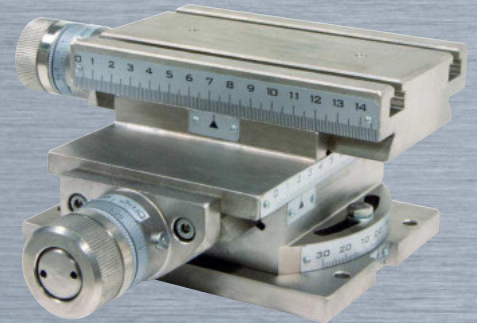
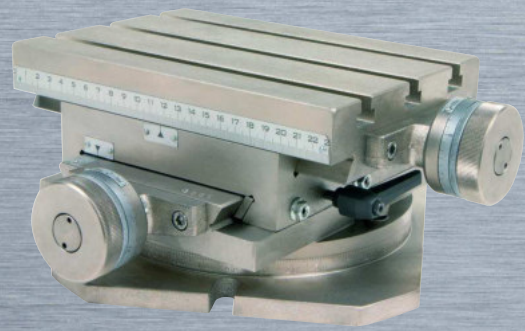
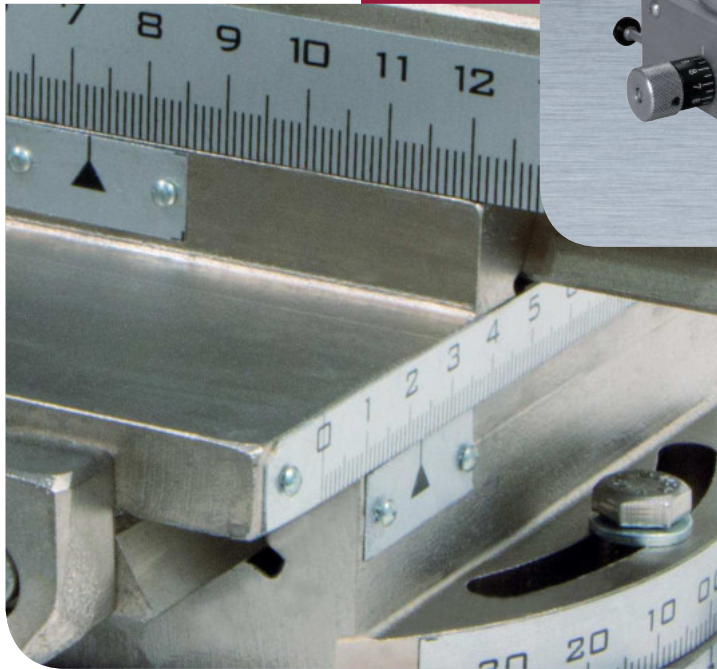
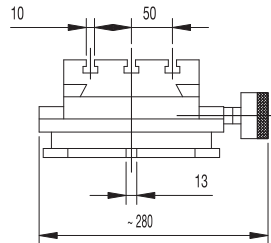
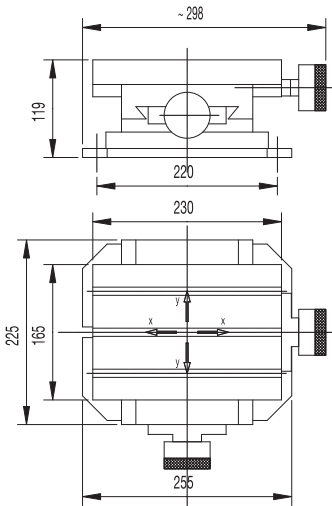


Coordinate tables



MG-0
KT 50
KT 30



The MG-0 coordinate table provides precise adjustment of the image onto a printed part and is produced from stable cast iron. The MG-0 is especially well-suited for the larger printing machines or for the assembly of heavy tooling fixtures. It allows for adjustments in the x- and y-axes through the use of fine adjustment knobs with a vernier. The w-axis adjustments are carried out using a marked scale.

TECHNICAL DATA MG-0

ADJUSTMENT POSSIBILITIES

- x-axis: ± 60 mm
- y-axis: ± 55 mm
- w-axis: 360° swivelling

T-SLOT FOR SLOT NUT DIN508
size 10

WEIGHT
20 kg

PART NUMBER
coordinate table MG-0
35 01 67

TECHNICAL DATA KT 50

ADJUSTMENT POSSIBILITIES

- x-axis: ± 25 mm
- y-axis: ± 25 mm
- w-axis: 22° swivelling

T-SLOT FOR LOT NUT DIN508
size 8

WEIGHT
8.5 kg

PART NUMBER
coordinate table KT 50
35 01 51

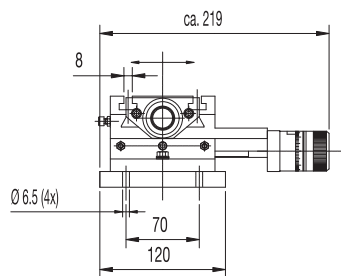
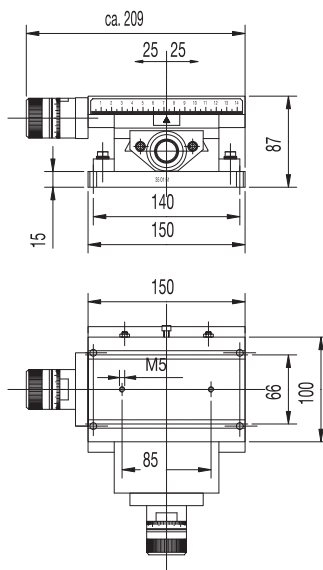
TECHNICAL DATA KT 30

ADJUSTMENT POSSIBILITIES

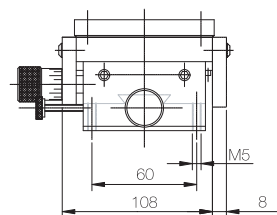
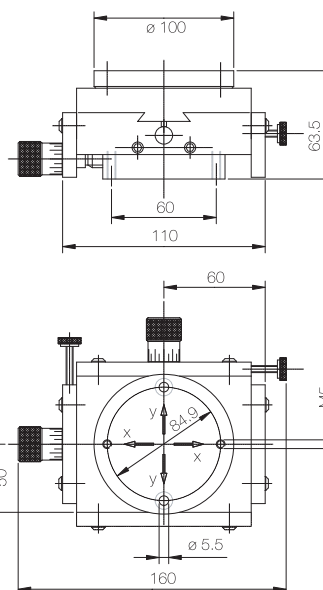
- x-axis: ± 15 mm
- y-axis: ± 15 mm
- when supplemented with DRV-30
additionally:
w-axis: 360° swivelling

WEIGHT
1.7 kg

PART NUMBER
coordinate table KT 30
70 00 76
turning device with fine adjustment DRV-30
70 00 77
mounting plate GP 80
89 80 07



The KT 50 coordinate table is produced from stable cast iron. Due to its solid and yet compact construction, the KT 50 is well-suited for applications requiring critical print image adjustments onto parts with smaller and middle-sized print machines. It is often used on shuttle tables as well. Infinitely variable adjustments can be made in the x- and y-axes using the fine adjustment knobs with a vernier. The w-axis adjustments are carried out using a marked scale.



The KT 30 coordinate table enables precise adjustment of an image onto the printed part. The adjustments for the x- and y-axes are carried out with the help of fine adjustment knobs. The KT 30 is manufactured out of aluminum and is especially well-suited for small printing machines or applications, which require peripheral devices, such as a shuttle table.

The DRV-30 turning device is an ideal complement to the KT 30 coordinate table. When mounted to the KT 30, the turning device provides a w-axis adjustment through an adjustment knob.

Teca-Print

Teca-Print AG
Bohlstrasse 17
8240 Thayngen
Switzerland

Tel. +41 52 645 2000
Fax +41 52 645 2102
info@teca-print.com
teca-print.com